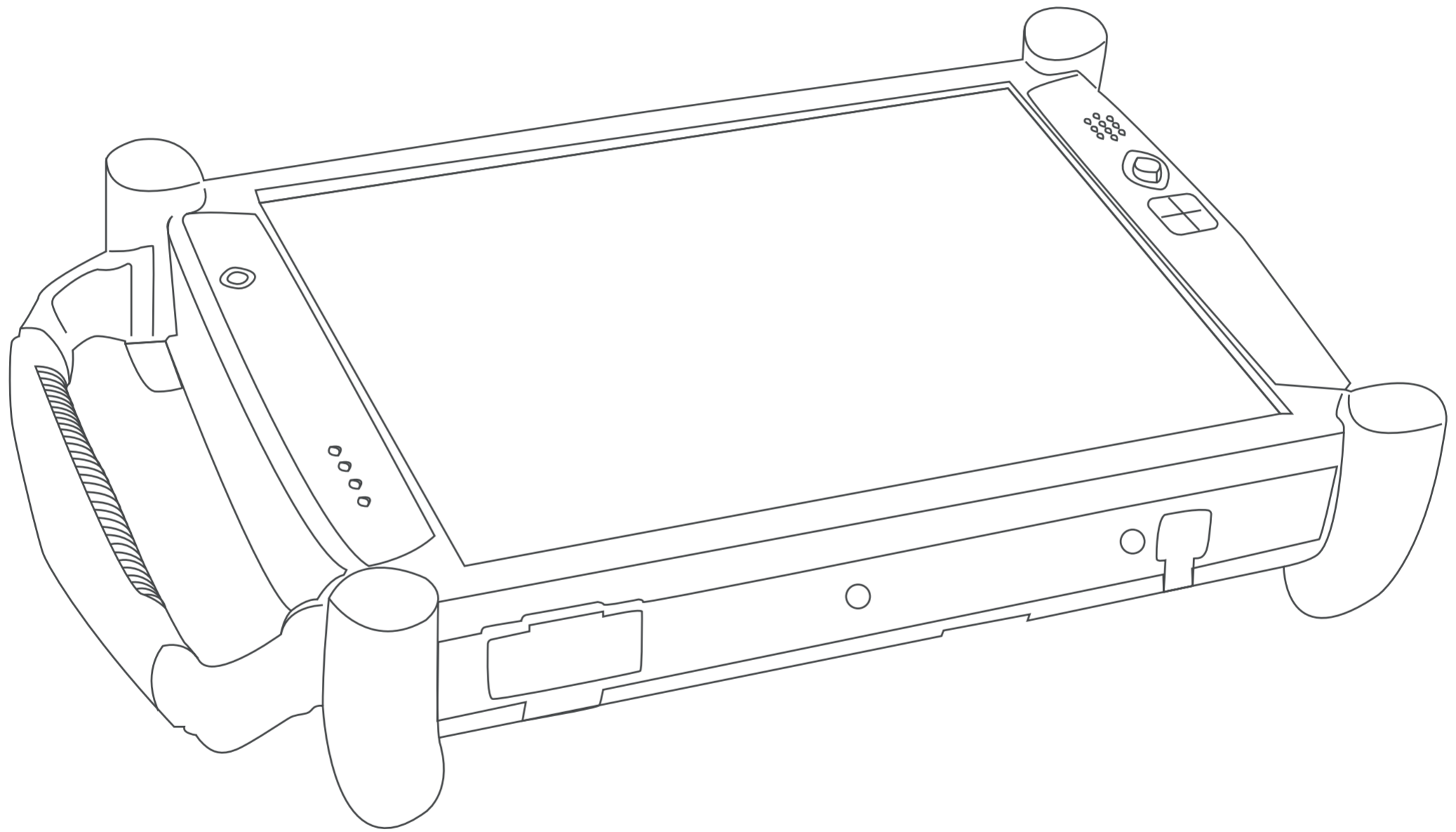


# User's Manual

DL46



**EVG7**<sup>TM</sup>  
Diagnostic Controller



## Getting Started

Congratulations on your purchase of a Tablet PC. The Tablet PC is a fully functional PC with built-in LAN, and wireless connectivity. With your Tablet PC you will be able to organize and access important business and personal information. In addition, you will be able to send and receive e-mail and access the Internet. This Manual contains all the information you need to set up and use your Tablet PC. It describes all the features of the Tablet PC in an easy-to-read yet thorough manner.

## Safety and Maintenance

You can use your Tablet PC under a wide range of environmental conditions. However, to ensure long use and continued high performance, consider the following factors when setting up your Tablet PC: Follow all warnings and instructions noted in this documentation and in the Windows Help program. The first time you use your Tablet PC, we recommend that you carefully read the Making Connections section of this manual and initialize the battery to ensure optimum battery performance. Unplug the Tablet PC from the power outlet before cleaning. Use a damp cloth for cleaning. Do not use aerosols, solvents, or strong detergents. Slots and openings in the system cabinet are for ventilation purposes. Do not block or cover these openings or the system could overheat. Do not use or store the Tablet PC near a source of heat or dust. On the base or rear panel of this Tablet PC, there is a label with information on the power requirements of this system. These requirements must be followed. If you are unsure of your local power supply, consult your dealer or local Power Company.

Do not step on or place anything on the power cord. If you use the Tablet PC with an extension cord, ensure that the total ampere ratings of all the devices sharing the extension do not exceed the rating of the extension cord or the rating of the wall outlet. Never push foreign objects into the Tablet PC through any of the slots or openings. Dangerous voltages are present, which could cause electric shock or fire, or damage sensitive components.

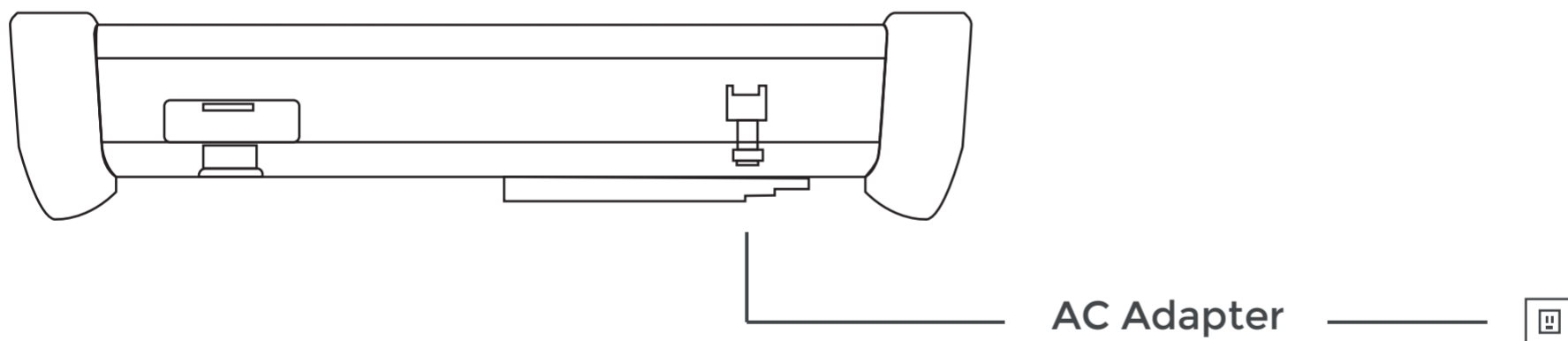
### High performance Processors

Intel Celeron 1037 dual core 1.8 GHZ / L3 2M

High Capacity Hard Disk Drive The Tablet PC has a high capacity hard disk drive, to store your favorite programs and large multimedia files.

### Quick Start

#### Turning on the Tablet PC for the First Time



Connect the AC adapter power cord to AC adapter.

Connect the AC adapter to the DC power port on the bottom side of your Tablet PC

Connect the AC adapter power cord to an AC outlet.

Press the power button to turn on the power.

## Loading Windows (**windows system not included in package**)

The following section is for installing the Windows operating system only. If you are installing a different operating system, please check with your vendor for installation details. After the Start Wizard updates your system settings, the Welcome to Windows screen will appear. You may disable this feature by clearing the check box labeled show this screen each time Windows starts

Some software comes preloaded with Windows. New users can familiarize themselves with this software by selecting Programs from the start menu, then clicking on programs to run them.

## Adjusting the Volume

You can adjust the volume with hot key:

Fn + Arrow Up (Five way control key): volume up

Fn + Arrow Down (Five way control key): volume down

Alternatively, you can adjust the volume with the Windows volume control applet located on the taskbar.

## Adjusting the Brightness

Use the following hot key combinations to adjust the LCD panel brightness:

Fn + Arrow Right (Five way control key): increases the brightness

Fn + Arrow Left (Five way control key): decreases the brightness

Turning off the Tablet PC properly is important to maintaining your Tablet PC.

1. On the Start menu, click

2. Click the

Turn Off

radio button in

Turn Off Computer

Windows

screen, and then click OK

If you are going to be away from the Tablet PC for a short period, there are ways of conserving power without shutting down the system.

**Warning:**

Shutting off the Tablet PC improperly

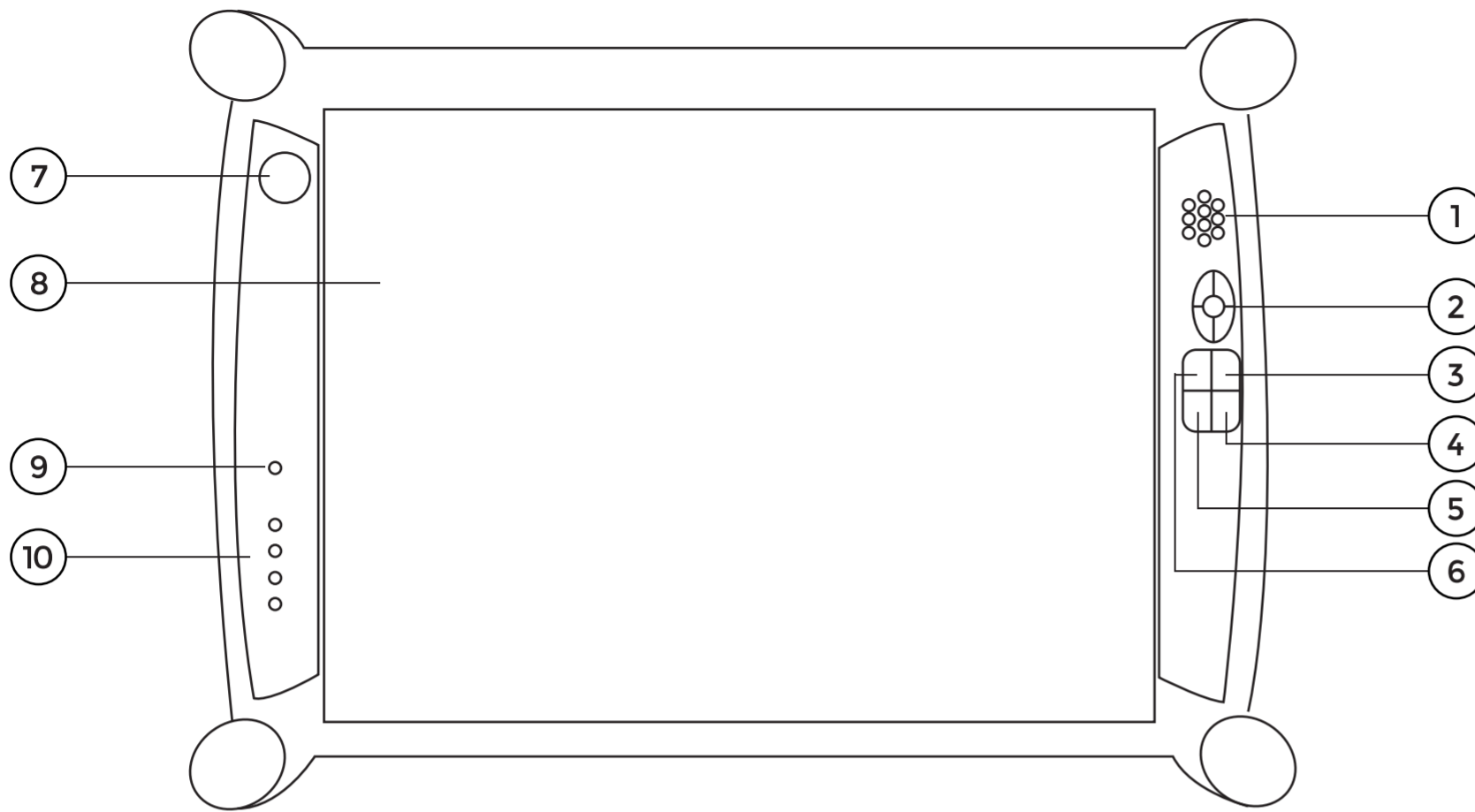
may result in data loss.

**Hardware and Software**

This chapter introduces the different components and controls of your Tablet PC, including the hardware components, the software, and the audio and video systems.

**Getting Started**

Before you begin using your Tablet PC, read this chapter to familiarize yourself with the main components installed in the system.



## Front View

1. Speaker

2. Five Way Control Key

Up/Down (Volume Control)

Left/Right (Brightness Control)

& Enter Button

3. WiFi

4. Screen Rotate Button

5. Function Button

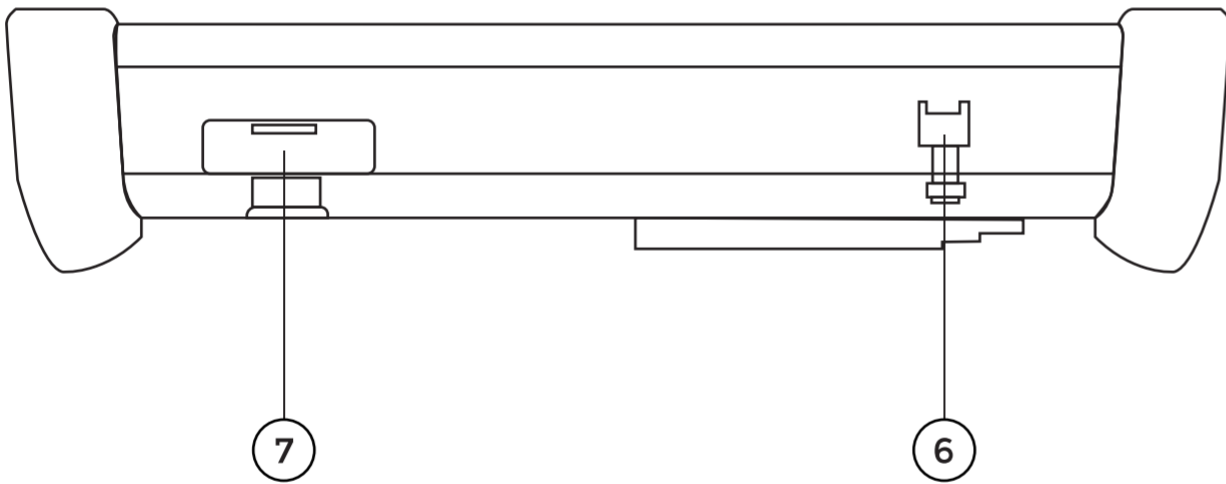
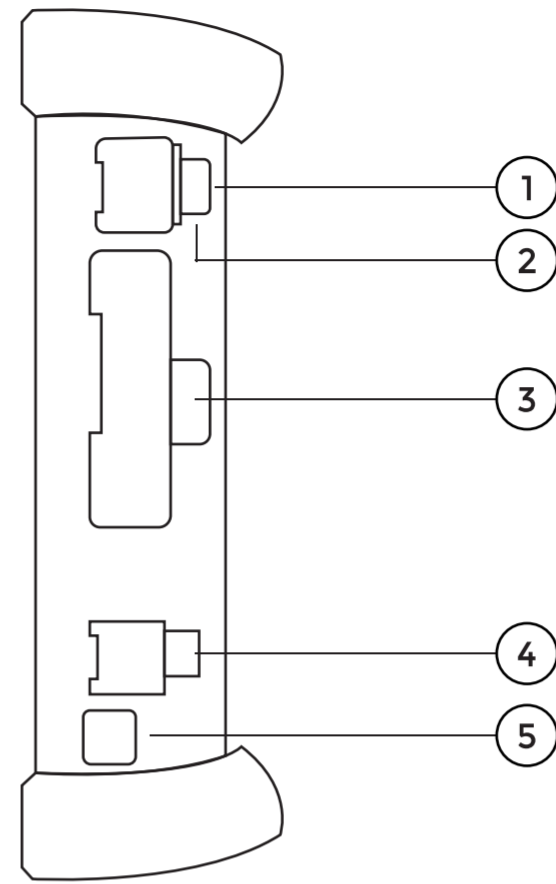
6. Security Access Button

7. Power Button

8. LCD Panel

9. Internal Microphone

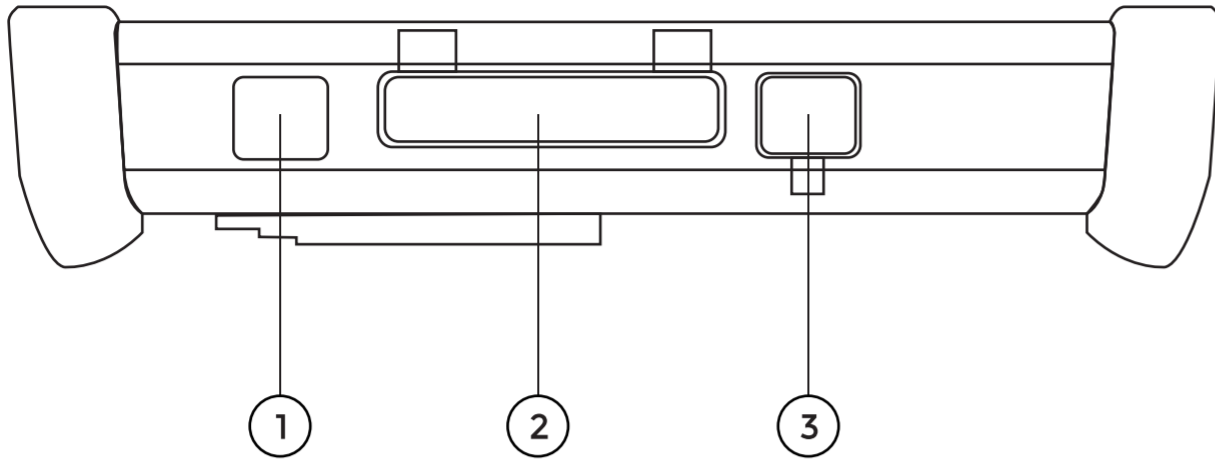
10. LED Status Indicator



## Right View

1. MIC
2. Earphone
3. Paralel LPT Port
4. USB 3.0
5. Modem Connector
6. DC-in Jack
7. VGA Output



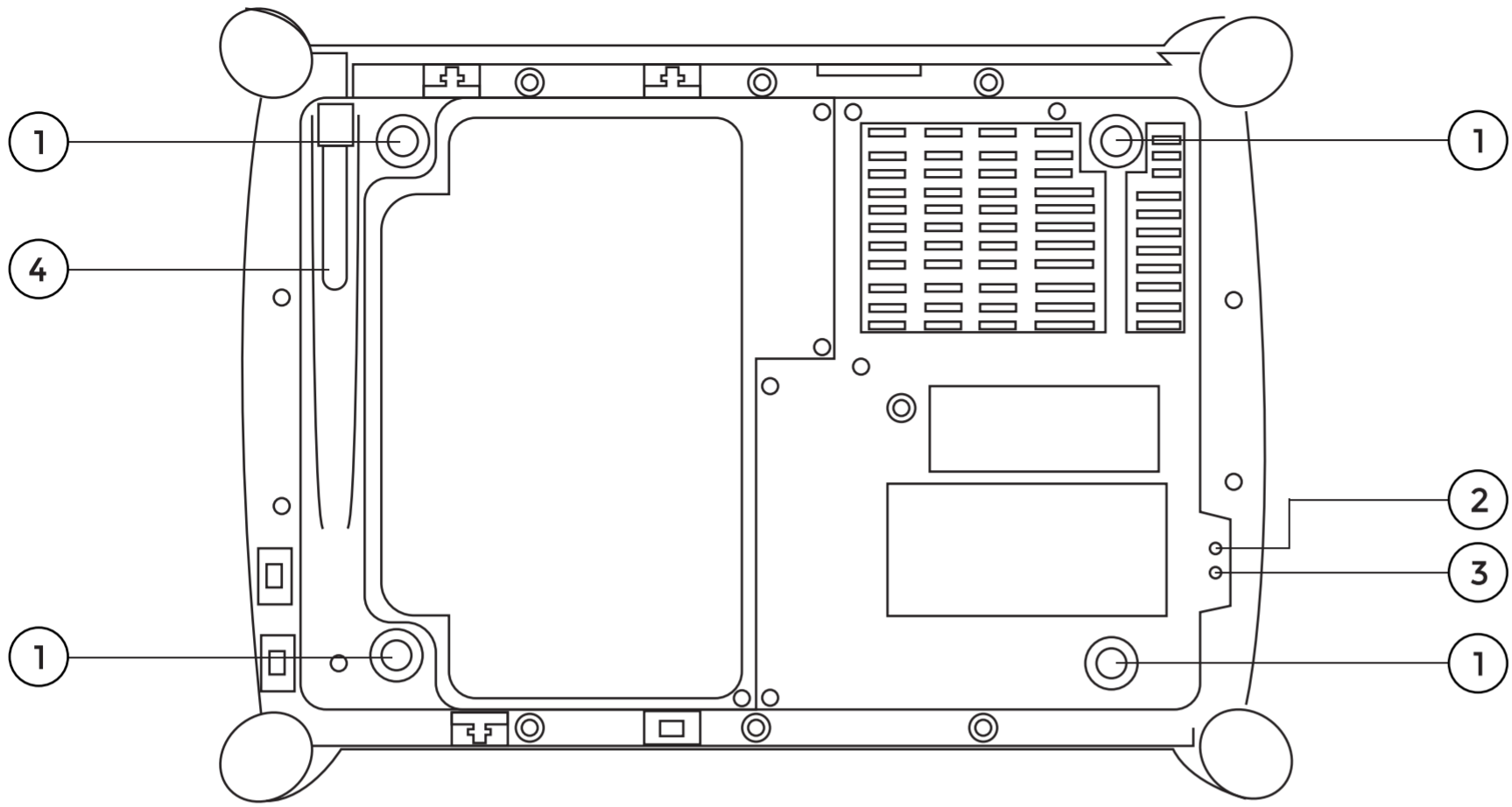


## Top View

1. LAN Port

2. USB 2.0 x2 / SD / TF Card Reader

3. Mini USB Connector



## Bottom View

1. Screw

2. Reset Button

3. Digitizer/Touch Switch Button

4. Stylus

## Power Indicators

The power indicators show which power source the system is using. They also show battery status and low battery power alerts. The power indicators remain active and viewable even when the LCD panel is closed.

### Icon Light / Description

Blue = Wireless LAN

Green = Tablet PC is reading from, or writing to the built-in hard disk.

Green = Battery fully charged

Green = Battery fully charged

Flashing Red = Battery power critically low

Blue = Power is on and the is on and the battery is in use

Flashing Blue = Power is in suspend mode

## Front View Buttons

The seven hot keys are unique features of your Tablet PC. The function as follows

### Icon Function

#### Power Button

Press and hold the Power Button for at least 2 seconds to turn on the system and go into standby automatically. If the unit has been sitting unused for a while. Press momentarily to turn on the system or to exit from standby. Press and hold for at least 4 seconds to force turn off the system. These settings can be cahnaged.

#### Security Button

Implement Secure Attention Sequence (SAS)

Similar function as pressing Ctrl+Alt+Delete on a standard keyboard

Function Button

Access to secondary operation of some buttons on the front bezel (shown in the illustration above).

Enter Button

Same function as on a standard keyboard

UP/Down Button

Same function as on a standard keyboard.

Left/Right Button

Under Normal Mode:

Same function as on a standard keyboard.

Under Calculation Mode:

Arrow Left / Arrow Right : + / -

Function Keys

Hold the Fn key while pressing the function key.

Fn + Down = Volume down

Fn + Up = Volume up

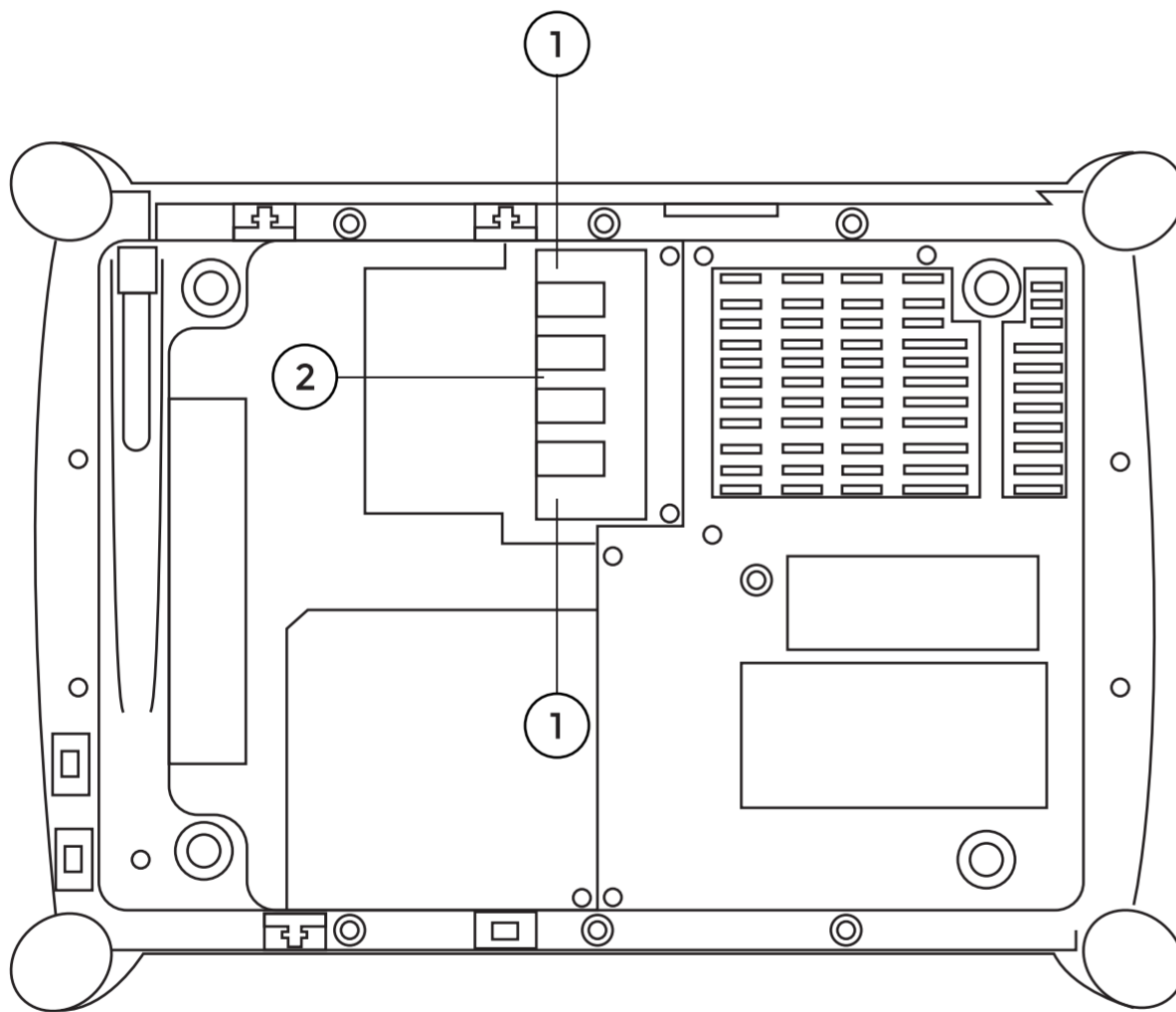
Fn + Right = Brightness Increase

Fn + Left = Brightness Decrease

Fn + Security = ESC key

## Replacing a Memory Card

1. Turn off the Tablet PC and disconnect the AC adapter. Turn the Tablet PC upside down and lay it on a flat surface.
2. Carefully remove the two RAM compartment cover screws and remove the RAM compartment cover.
3. Carefully remove the Bluetooth module screws, unplug bluetooth harness then remove bluetooth module.
4. Gently pull tabbed latched in the direction of the arrows (1). The card will pop up slightly.
5. Pull upwards on the card and then slide the card out (2).



## System Software

### Software List

Operating System (bundled with OS model)

Your hard drive already contains all the software you need to operate the Tablet PC

### Audio and Video Drivers

These utility programs and drivers are included for the PC Card drive, the sound system and graphics sup-system

|                   |  |
|-------------------|--|
| Model             | : DL46   |
| OS                | : Win XP/7/8 (not included)  |
| Processor         | : Intel Celeron 1037(Dual - 1.8Ghz/L3 2M)  |
| DDR               | : The biggest support memory : 8GB   |
| HDD               | : Can support more than 1 TB capacity  |
| LCD               | : 10.4 Inch The resolution of the 1024x768   |
| Graphics          | : he touchscreen widescreen LED backlight<br>The core graphics Intel HD Graphics                   |
| Speakers          | : Built-in Speakers  |
| Wireless          | : 802.11b/g/n  |
| LAN               | : The built-in 10-100M card  |
| BT                | : BT2.0 , 4.0  |
| USB               | : USB3.0 / Mini USB / 2 x USB2.0   |
| Card Reader       | : TF Card Reader   |
| Other Interface   | : VGA Voice Input / The Sound Output /<br>Hole DC Power Jack / Parallel LPT Port I/O<br>VGA Output |
| The Battery Type  | : 9 The core of lithium batteries 10.08V 6600 mAh  |
| The Power Adaptor | : 110V-240V The adaptive communication power supply  |
| Battery Life      | : The specific time depending on the use environment   |
| Specifications    | : 270x180x60 mm  |
| The weight of the | : 1911g (with battery)   |

